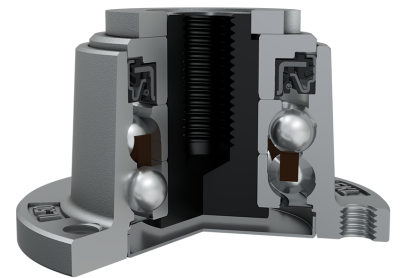
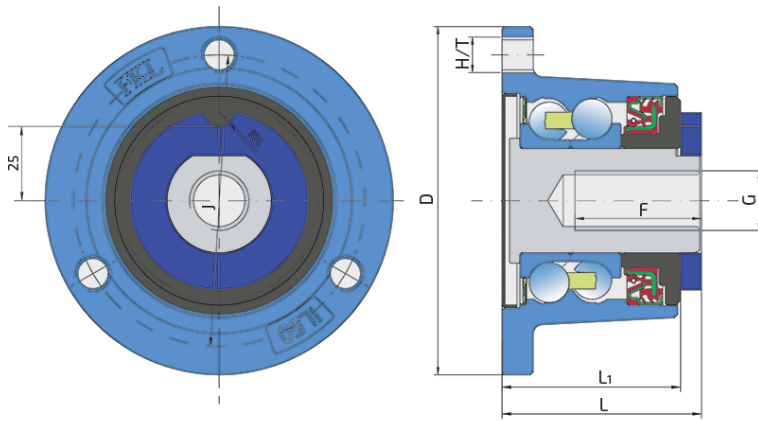


AGRO POINT HUB

IL50A-98/3T-M20-R5

AGRO POINT HUB
Disc Harrow



Technical Specification

J	Pitch circle diameter	98 mm
D	Outside diameter	117 mm
H/T	Hole/Thread	12 mm
G	Internal Thread	20 mm
L	Overall length	67 mm
L1	Total flange length	60 mm
F	Length of threaded part	42.5 mm
kg	Mass	2.339 kg
Cdyn	Dynamic load rating	60 kN
Co	Static load rating	45.8 kN
Pu	Fatigue load limit	1.924 kN

Sealing

SHEET METAL SHIELD+RS SEAL / DIRTBLOCK SEAL+FORGED COVER PLATE

Sheet metal shield and RS seal on the base side and Dirtblock seal and Forged cover plate on the front side which is exposed to contaminants.

Sheet metal shield and RS seal together with attached disc eliminates the possibility of contamination from the base side. Dirtblock seal is designed for hard working condition at unfriendly environment. Half metal - half rubber outside diameter provides reliable seal retention in the bore and improves sealing performance. Inside diameter is covered by rubber and improves sealing performance and easy installation. Forged cover plate is additional, strong protection of the Dirtblock seal against mechanical damage.

This sealing provides maximum protection against liquid or solid contaminants, which significantly extends bearing service life.

